

1 2 3 4 5 6 7 8

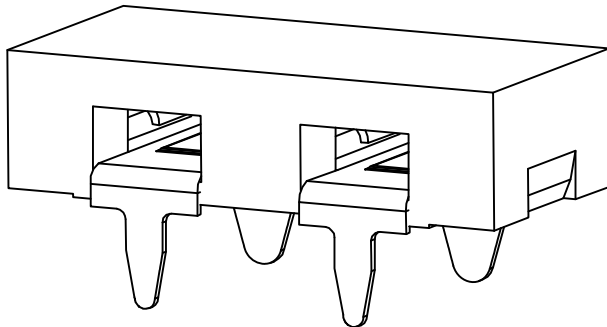
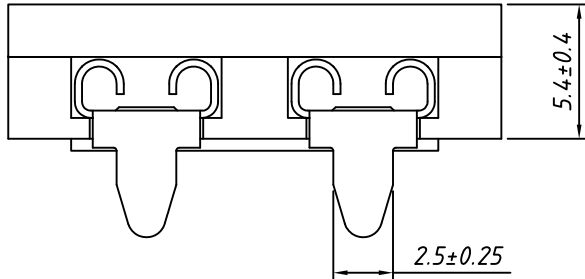
A

A

*Characteristics:*  
 Voltage Rating: 250V  
 Current Rating: 20A  
 Insulation Resistance: 100MΩ Min. at 500VDC  
 Dielectric Strength : AC 500 V Min.at 60s

B

B



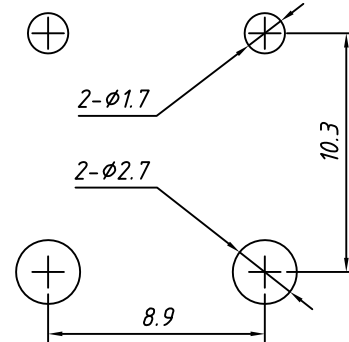
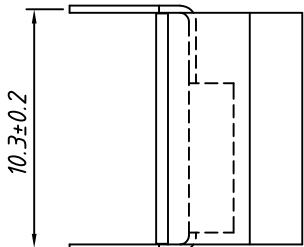
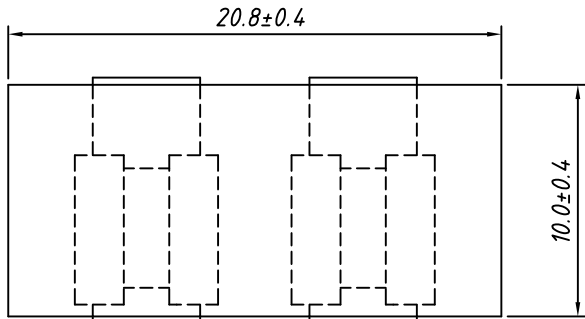
*Material:*  
 Contact: Brass, T=0.3mm, Tin Plated  
 Insulator: High Temp Nylon, UL94-V0  
 Fuse type:  
 Medium Blade Fuse: KLS5-270-xxx

C

C

D

D

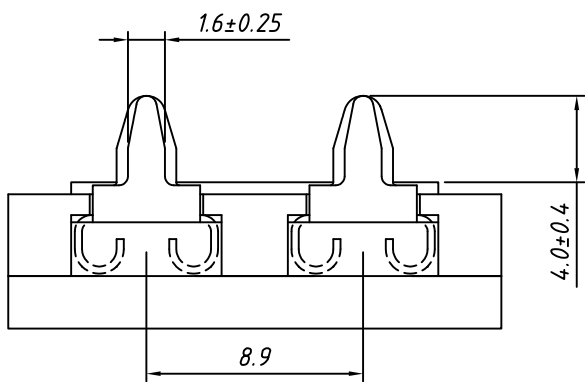


E

E

F

F



Recommend Mounting Hole

H

H

GENERAL TOLERANCE	PROJECTION		Description:
.X ±1.00	UNITS	mm	32V Medium Blade Fuse Clip
.X ±0.50	SCALE	3:1	
.XX ±0.30	Draw by:	Daniel	
ANGLE TOLERANCE	Check by:	Daniel	KLS P/N: L-KLS5-718EB
±5°	Date	2022-09-01	NingBo KLS ELECTRONIC CO.,L TD.
	SHEET	1 OF 1	

1 2 3 4 5 6 7 8